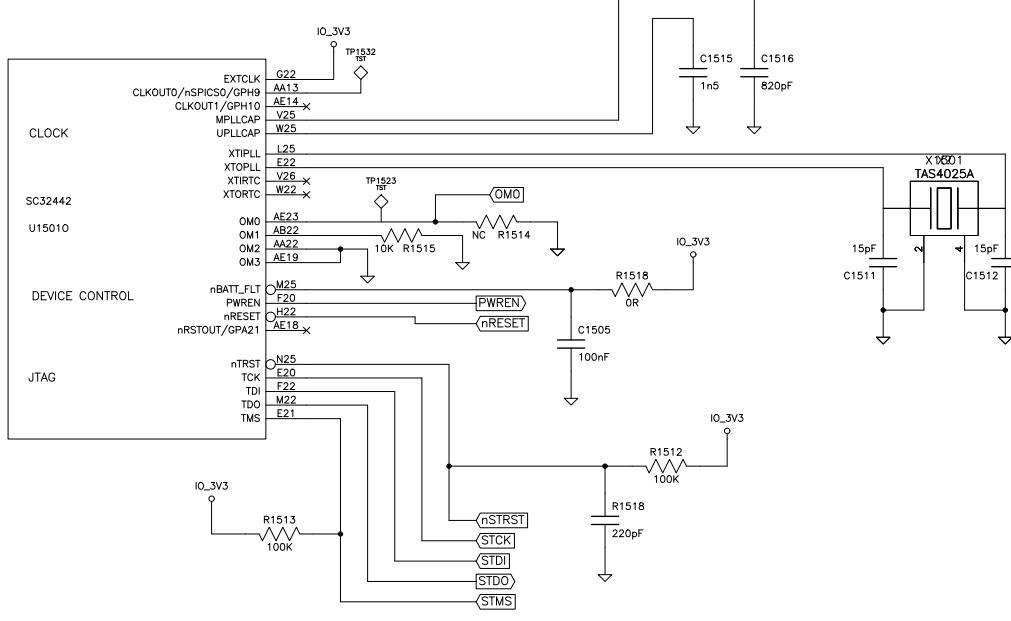
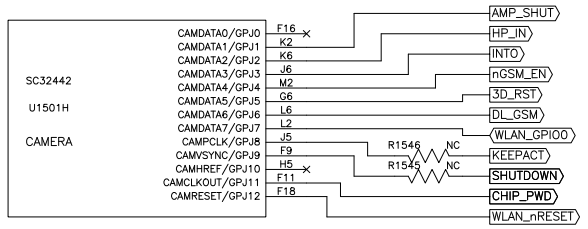
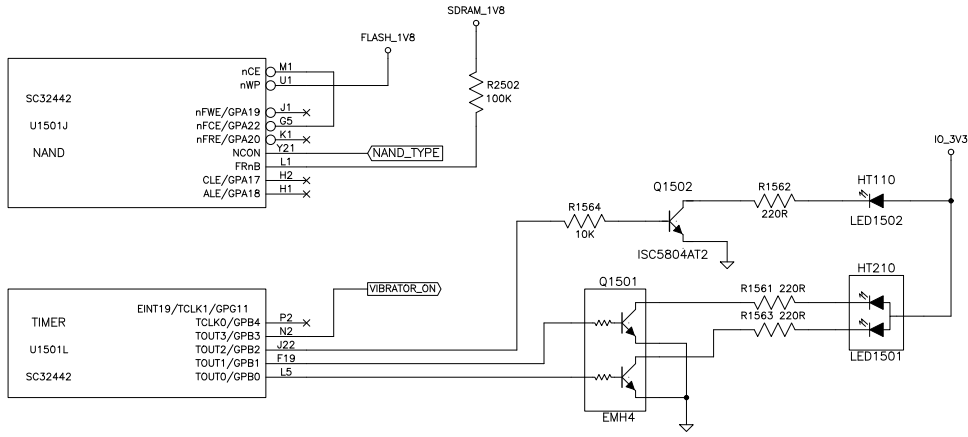


# CPU

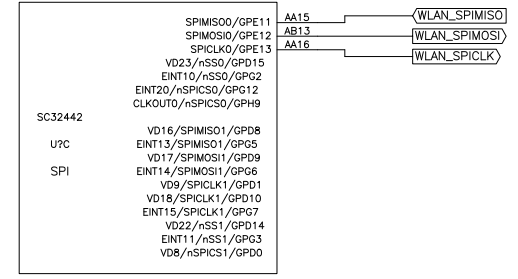
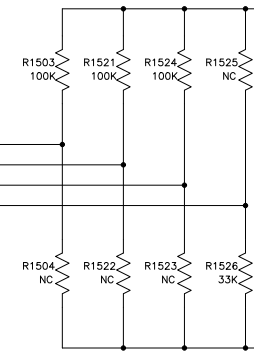


NAND\_TYPE (NCON0) – NAND flash memory selection (Normal/Advance)  
 0: Normal NAND flash (256 Words / 512 Bytes page size, 3/4 address cycle)  
 1: Advance NAND flash (1K Words / 2K Bytes page size, 4/5 address cycle)

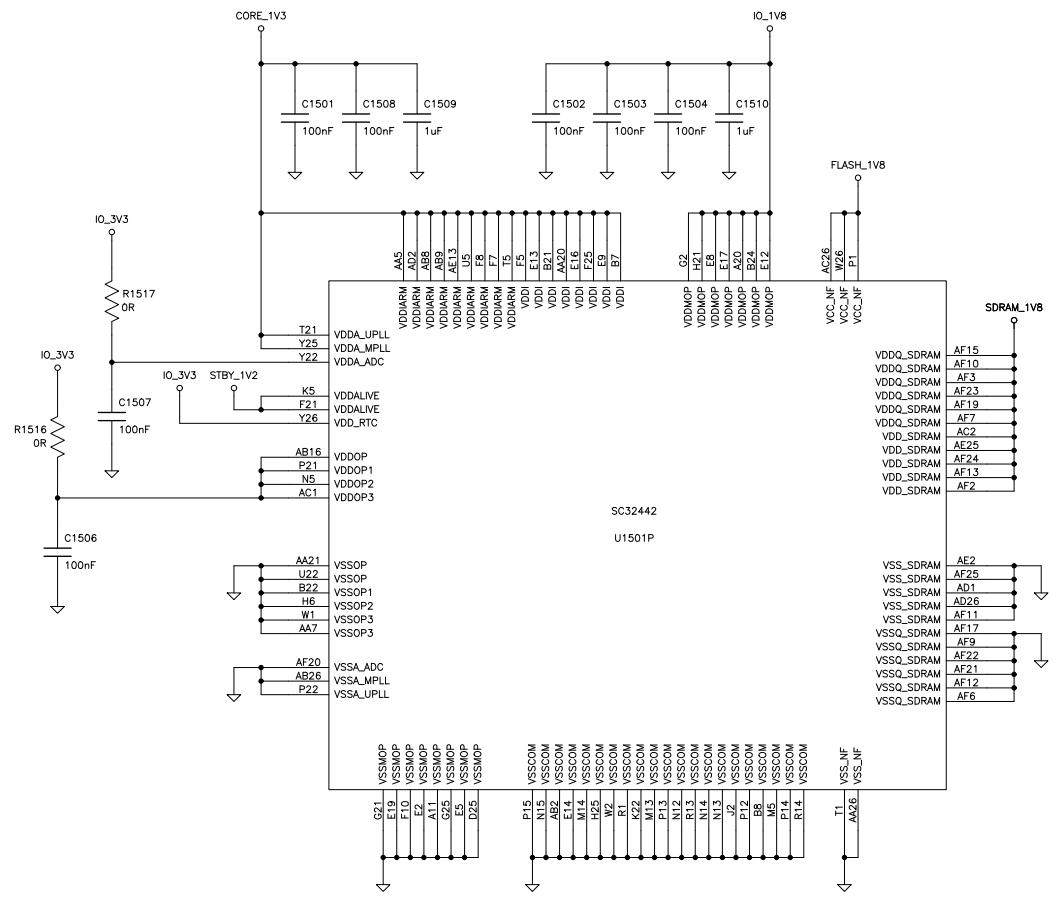
NAND\_PAGE\_SIZE (GPG13) – NAND flash memory page capacity selection  
 0: Page=256 Words (NAND\_TYPE=0) or Page=1K Words (NAND\_TYPE=1)  
 1: Page=512 Bytes (NAND\_TYPE=0) or Page=2K Bytes (NAND\_TYPE=1)

NAND\_ADDR\_CYCLE (GPG14) – NAND Flash memory address cycle selection  
 0: 3 address cycle (NAND\_TYPE=0) or 4 address cycle (NAND\_TYPE=1)  
 1: 4 address cycle (NAND\_TYPE=0) or 5 address cycle (NAND\_TYPE=1)

NAND\_TYPE (NCON0) – NAND Flash memory selection (Normal/Advance)  
 0: 8-bit bus Width  
 1: 16-bit bus Width

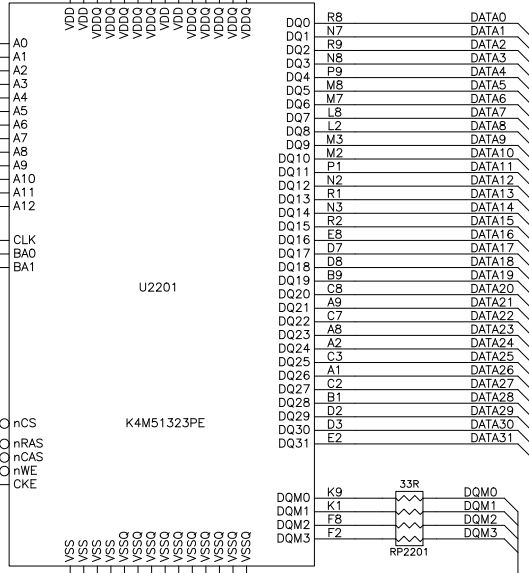
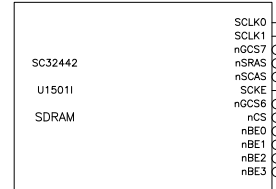
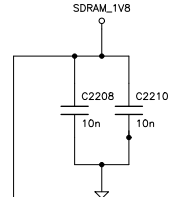
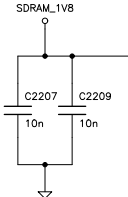
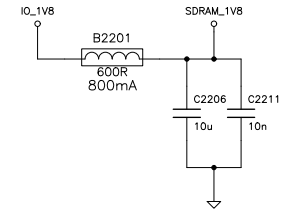
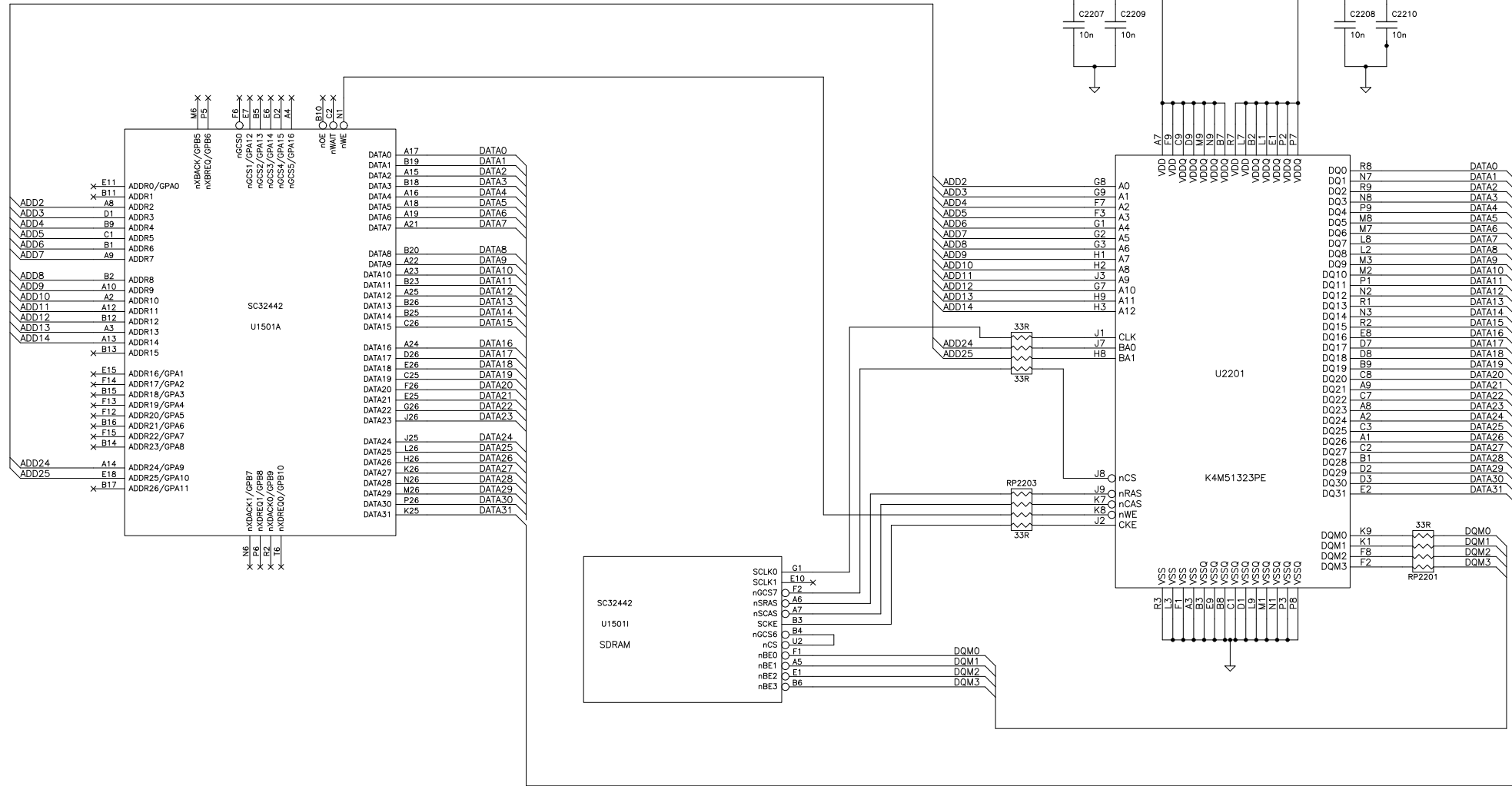


# CPU-POWER

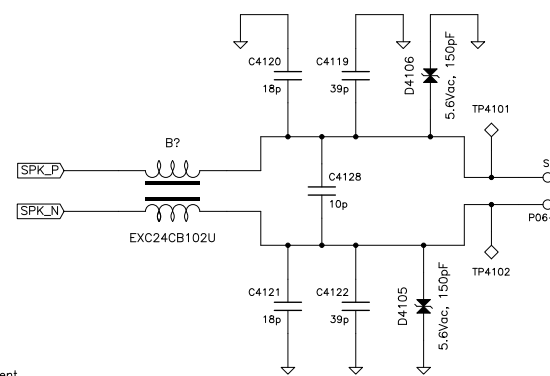
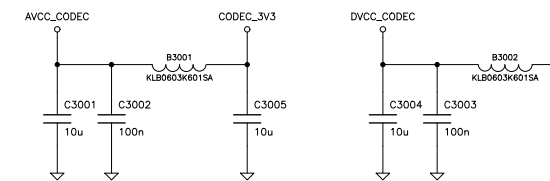
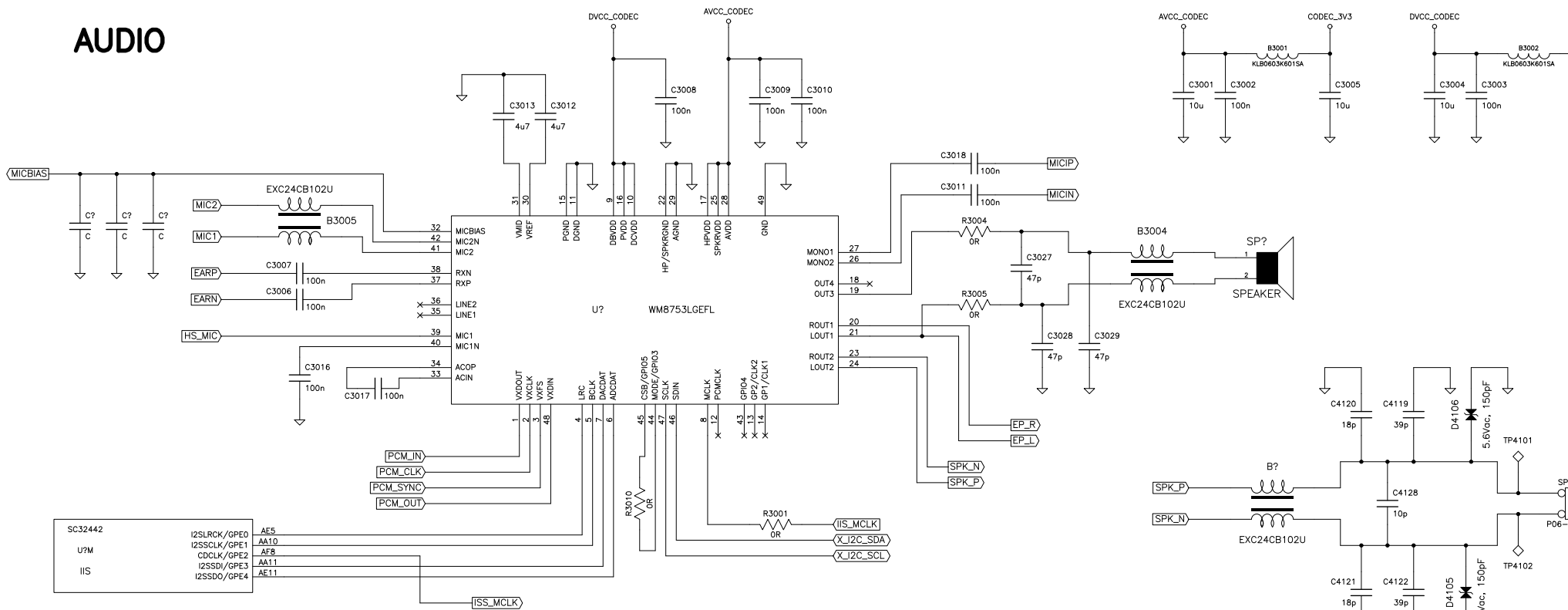




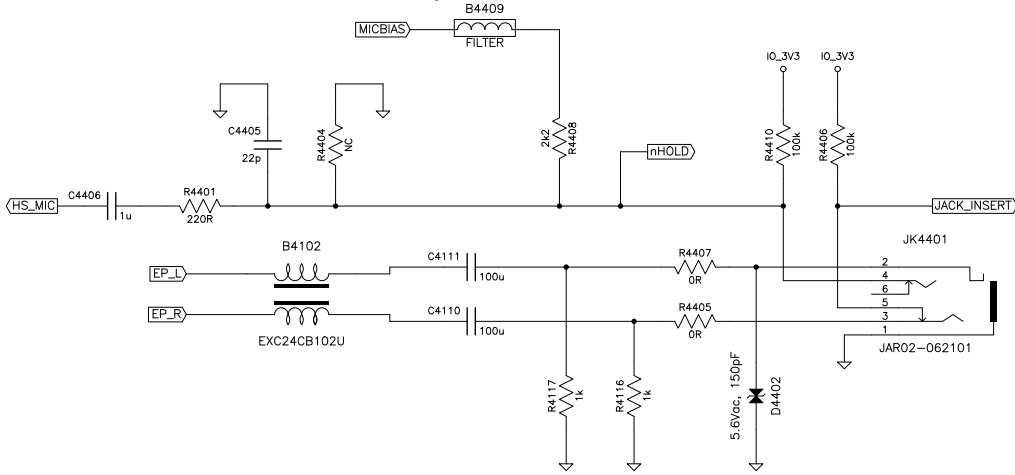
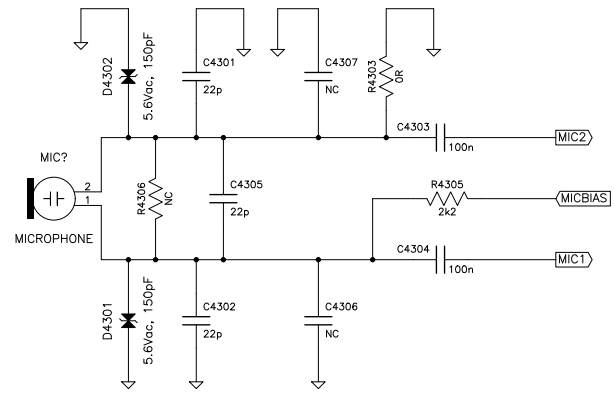
# MEMORY



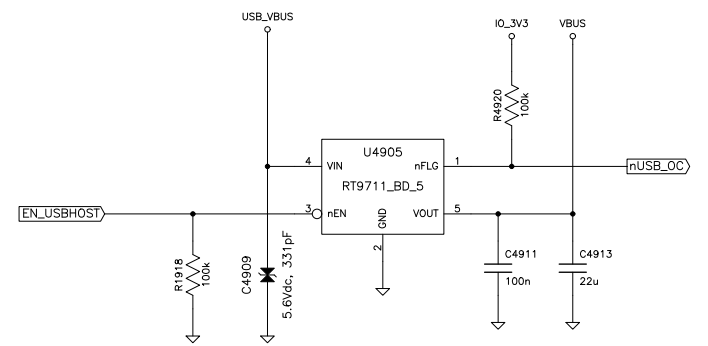
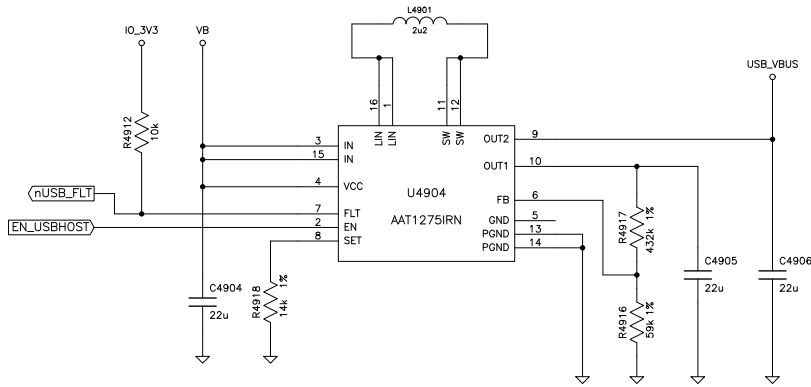
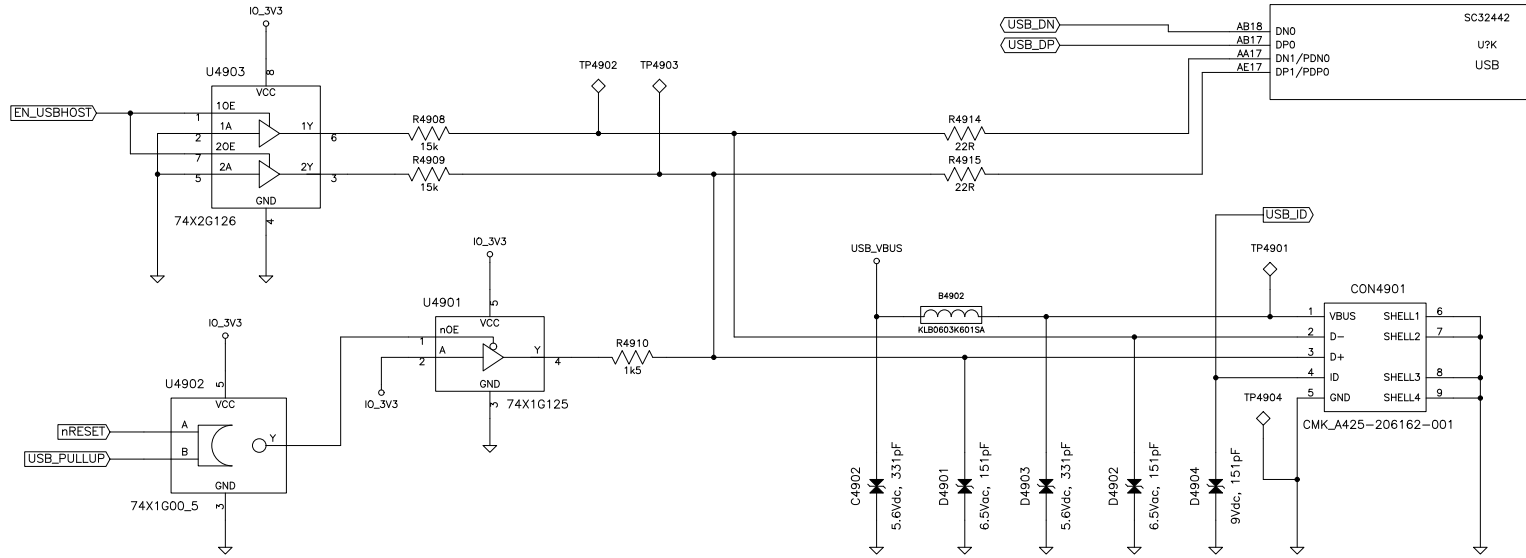
# AUDIO



NOTE: B4409 added to prevent feeding RF into MICBIAS line



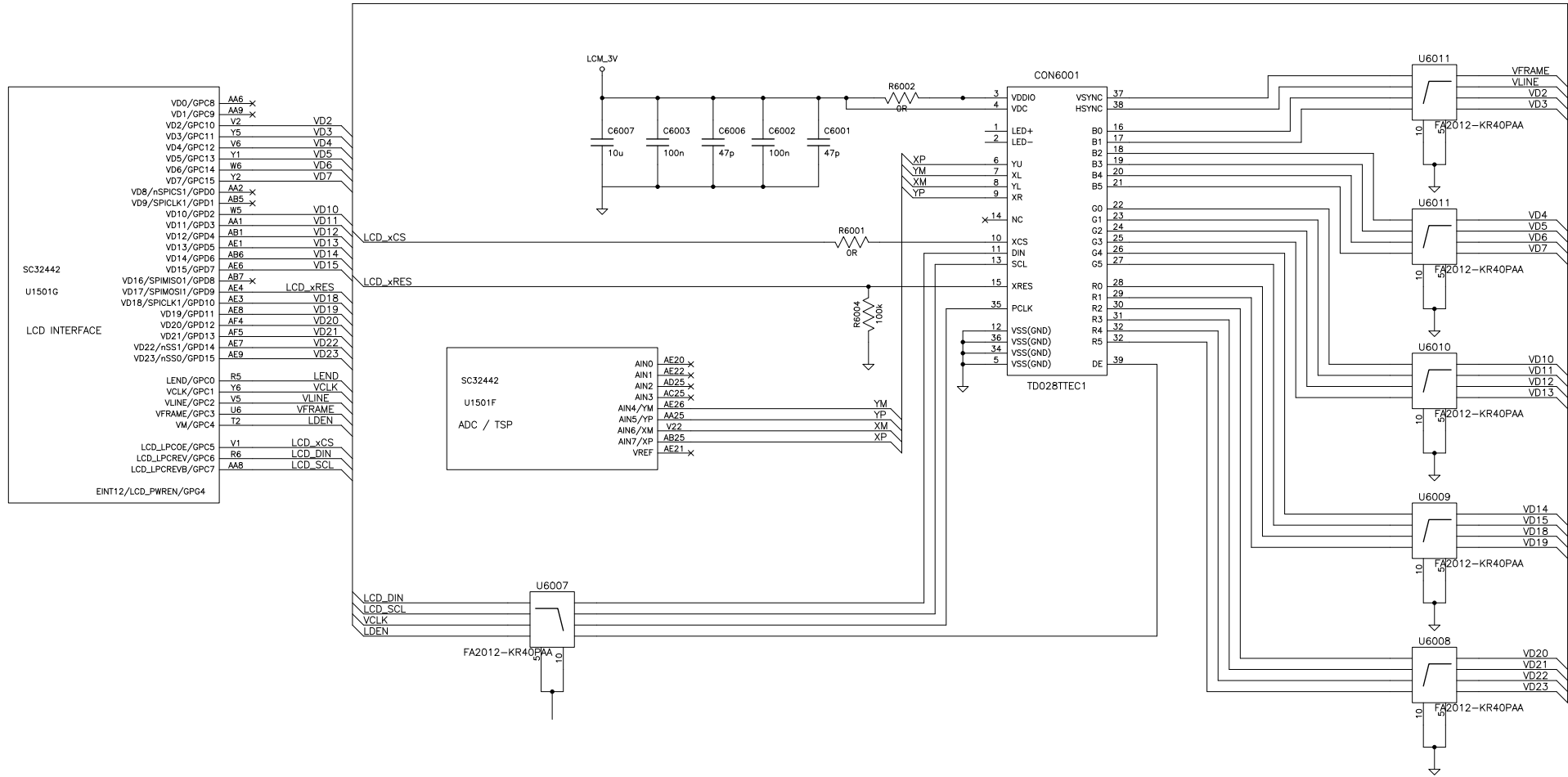
# USB



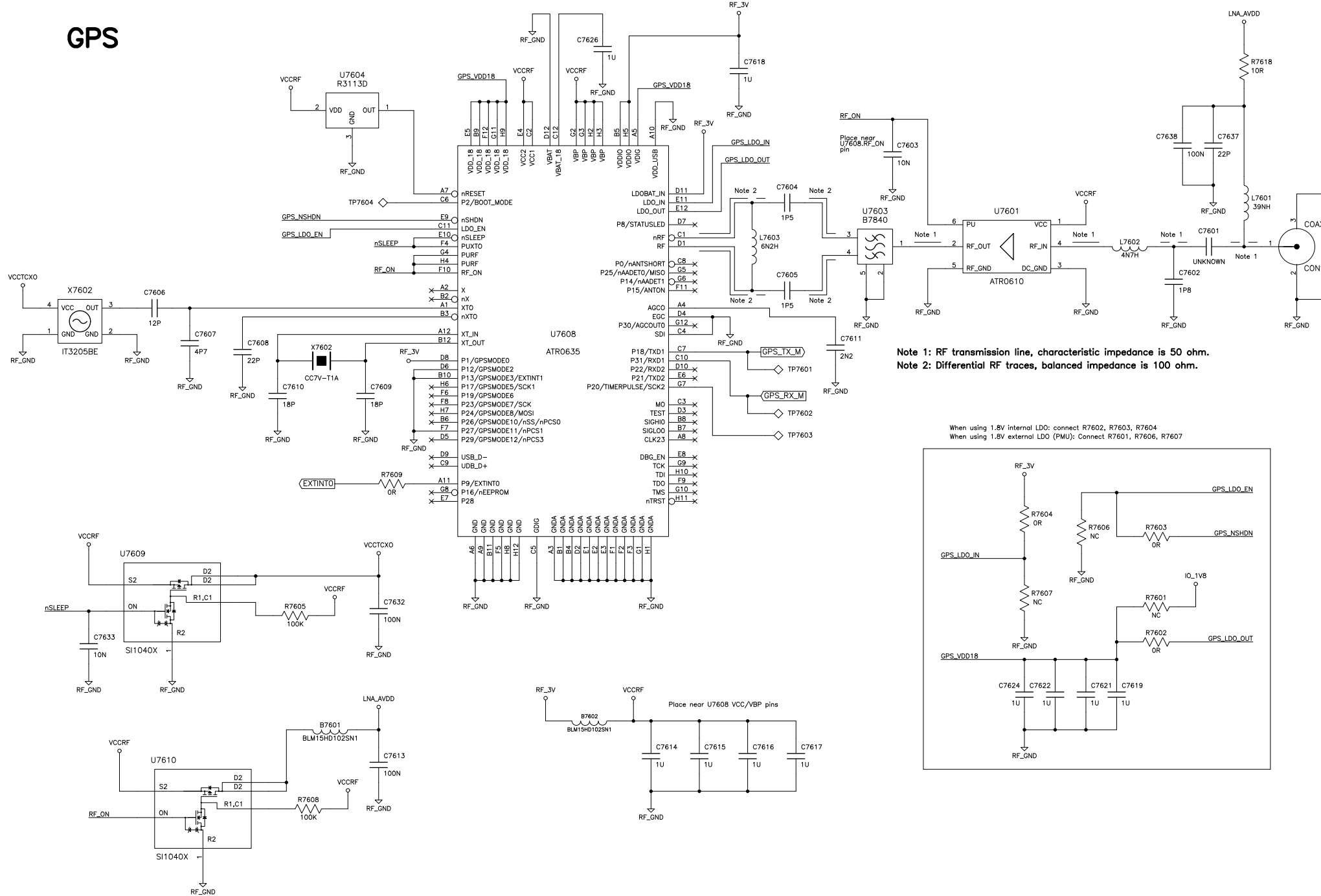




# LCM

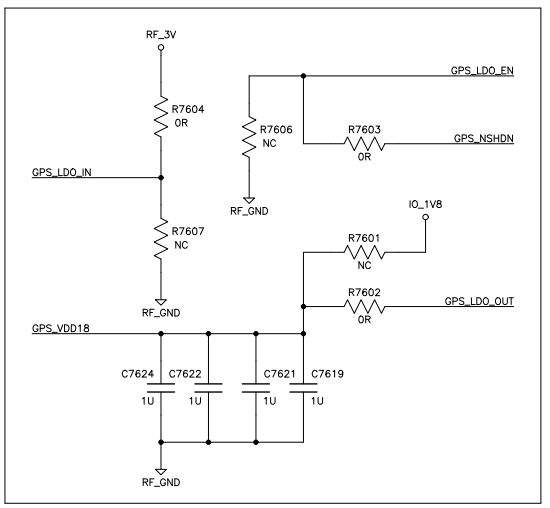


# GPS

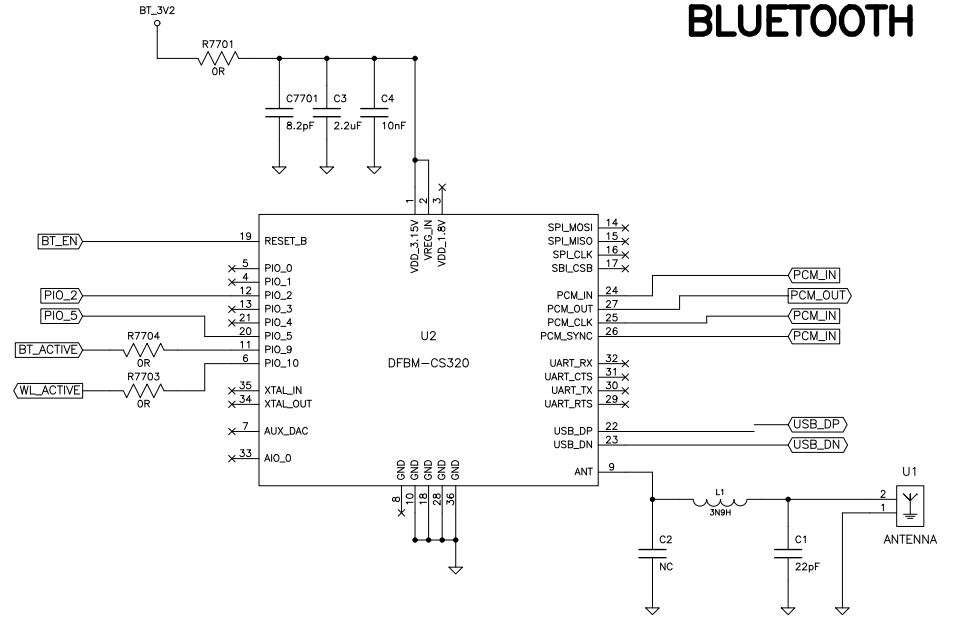


**Note 1:** RF transmission line, characteristic impedance is 50 ohm.  
**Note 2:** Differential RF traces, balanced impedance is 100 ohm.

When using 1.8V internal LDO: connect R7602, R7603, R7604  
 When using 1.8V external LDO (PMU): Connect R7601, R7606, R7607



# BLUETOOTH



# WLAN

