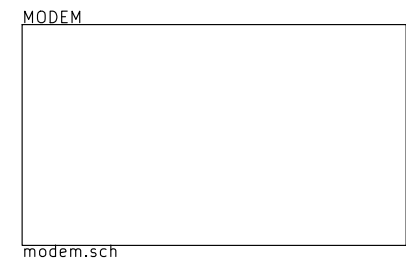
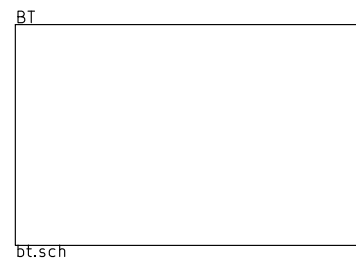
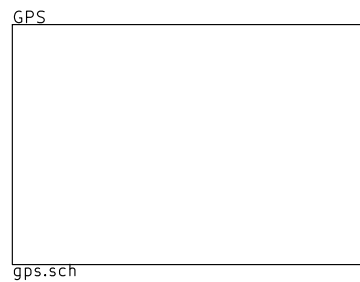
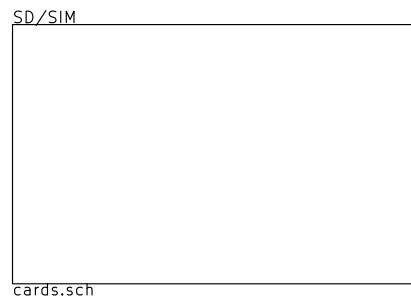
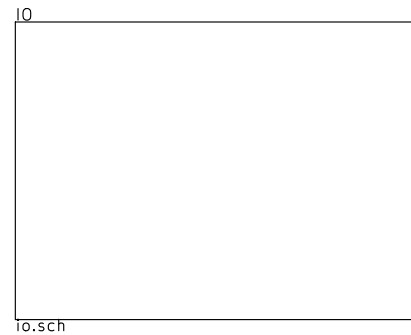
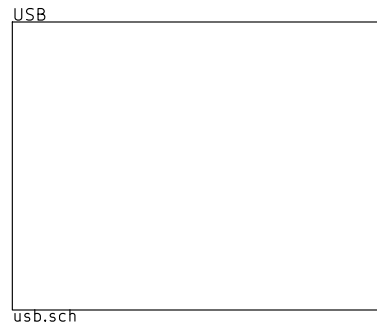
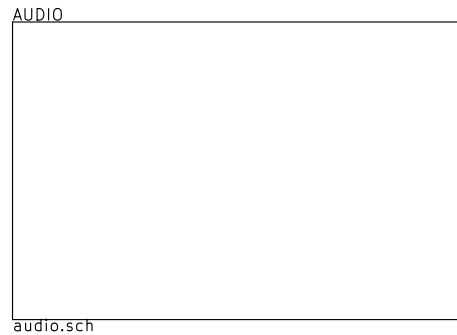
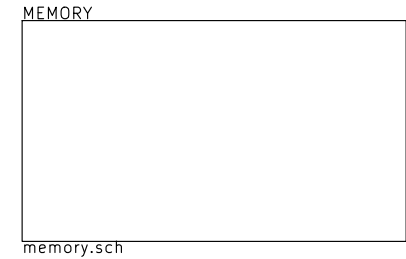
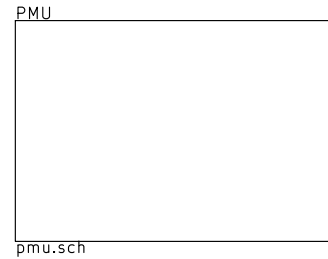
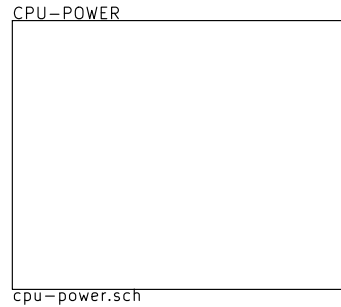
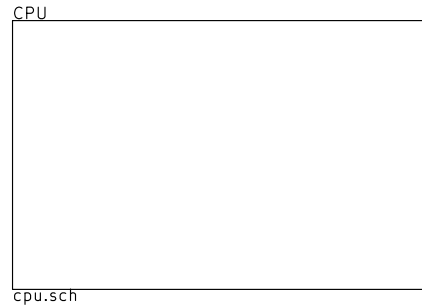


EXPANDED VIEW – FOR COMPONENT REVIEW

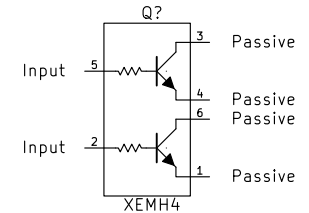
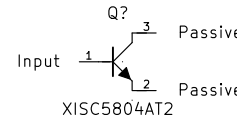
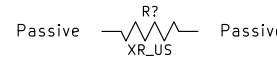
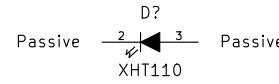
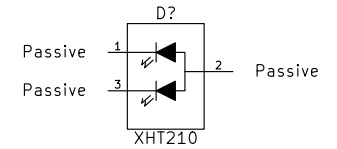
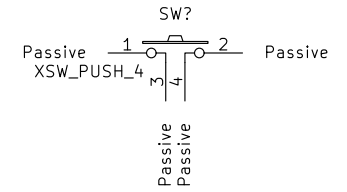
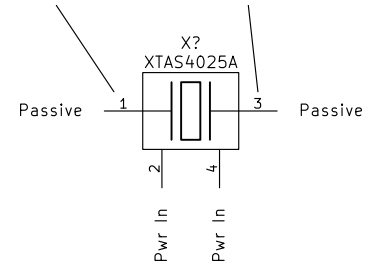


CPU

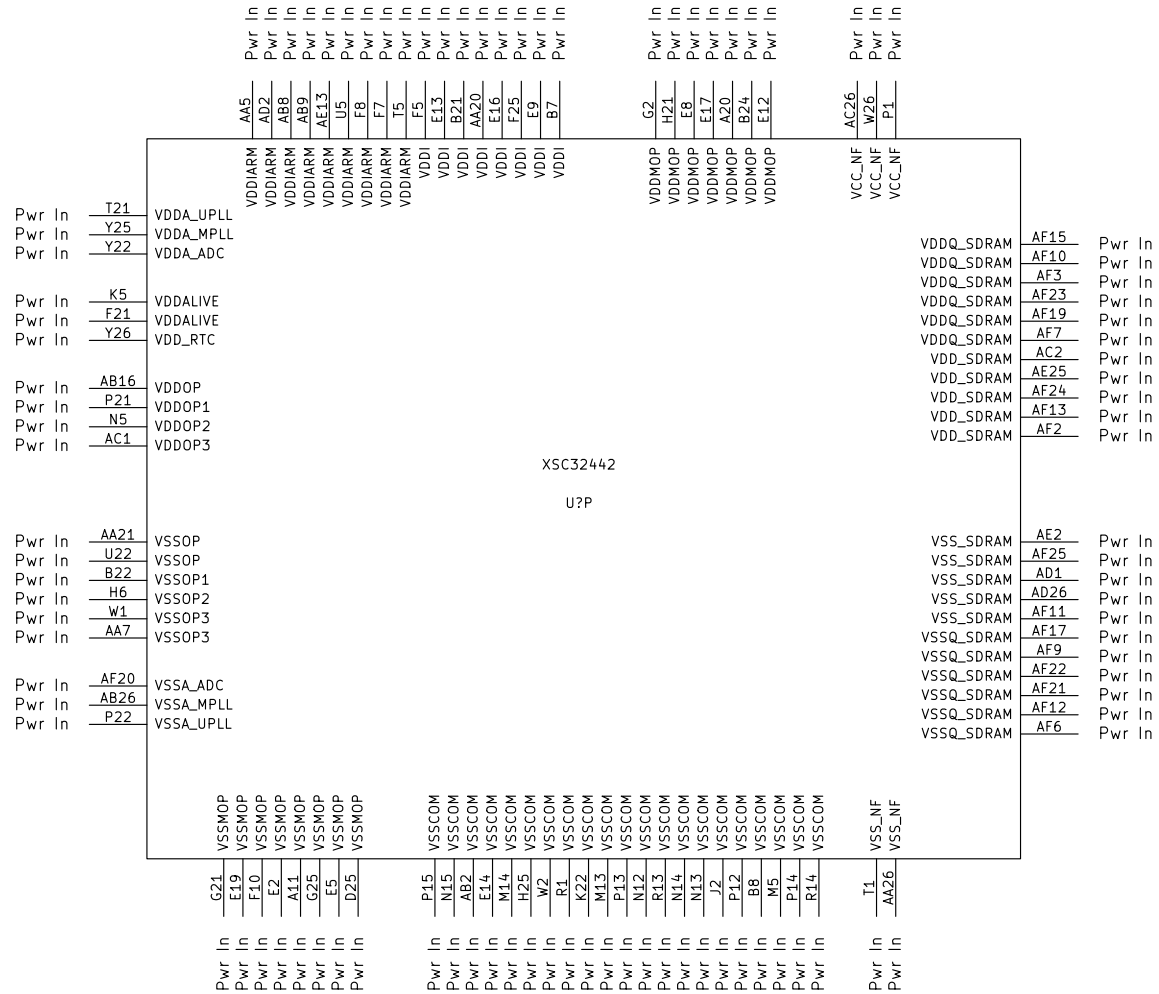
CLOCK	EXTCLK	G22	Input
	CLKOUT0/nSPICS0/GPH9	AA13	BiDi
	CLKOUT1/GPH10	AE14	BiDi
	MPLLCAP	V25	Passive
	UPLLCAP	W25	Passive
	XTIPLL	L25	Input
	XTOPLL	E22	Output
	XTIRTC	V26	Input
	XTORTC	W22	Output
	XSC32442	U?O	OM0
		AB22	Input
		AA22	Input
		AE19	Input
DEVICE CONTROL	nBATT_FLT	M25	Input
	PWREN	F20	Output
	nRESET	H22	Input
	nRSTOUT/GPA21	AE18	Output
JTAG	nTRST	N25	Input
	TCK	E20	Input
	TDI	F22	Input
	TDO	M22	3-state
	TMS	E21	Input
XSC32442	EINT0/GPF0	T22	BiDi
	EINT1/GPF1	U26	BiDi
	EINT2/GPF2	N21	BiDi
	EINT3/GPF3	T26	BiDi
	EINT4/GPF4	R22	BiDi
	EINT5/GPF5	U25	BiDi
	EINT6/GPF6	K21	BiDi
	EINT7/GPF7	T25	BiDi
	EINT8/GPG0	AA14	BiDi
	EINT9/GPG1	AE15	BiDi
	EINT10/nSS0/GPG2	AB15	BiDi
	EINT11/nSS1/GPG3	AF14	BiDi
	EINT12/LCD_PWREN/GPG4	AB14	BiDi
	EINT13/SPIMOS1/GPG5	AA18	BiDi
	EINT14/SPIMOS1/GPG6	AE16	BiDi
	EINT15/SPICLK1/GPG7	V21	BiDi
	EINT16/GPG8	AB20	BiDi
	EINT17/nRTS1/GPG9	AB21	BiDi
	EINT18/nCTS1/GPG10	AA19	BiDi
	EINT19/TCLK1/GPG11	AF16	BiDi
	EINT20/nSPICS0/GPG12	W21	BiDi
	EINT21/GPG13	AE24	BiDi
	EINT22/GPG14	AB19	BiDi
EINT23/GPG15	AF18	BiDi	
XSC32442	U?N	IICSCL/GPE14	BiDi
	IIC	IICSDA/GPE15	BiDi
XSC32442	U?K	DN0	BiDi
		AB17	BiDi
	USB	DN1/PDN0	BiDi
		AE17	BiDi

XSC32442	U?H	CAMDATA0/GPJ0	F16	BiDi
		CAMDATA1/GPJ1	K2	BiDi
		CAMDATA2/GPJ2	K6	BiDi
		CAMDATA3/GPJ3	J6	BiDi
		CAMDATA4/GPJ4	M2	BiDi
		CAMDATA5/GPJ5	G6	BiDi
		CAMDATA6/GPJ6	L6	BiDi
		CAMDATA7/GPJ7	L2	BiDi
		CAMPCLK/GPJ8	J5	BiDi
		CAMVSYNC/GPJ9	F9	BiDi
		CAMHREF/GPJ10	H5	BiDi
		CAMCLKOUT/GPJ11	F11	BiDi
	CAMRESET/GPJ12	F18	BiDi	
XSC32442	U?J	nCE	M1	Input
		nWP	U1	Input
XSC32442	U?I	nFWE/GPA19	J1	3-state
		nFCE/GPA22	G5	3-state
		nFRE/GPA20	K1	3-state
		NCON	Y21	Input
		FRnB	L1	3-state
		CLE/GPA17	H2	3-state
		ALE/GPA18	H1	3-state
XSC32442	U?L	TOUT0/GPB0	L5	BiDi
		TOUT1/GPB1	F19	BiDi
		TOUT2/GPB2	J22	BiDi
		TOUT3/GPB3	N2	BiDi
	TIMER	TCLK0/GPB4	P2	BiDi
	EINT19/TCLK1/GPG11			

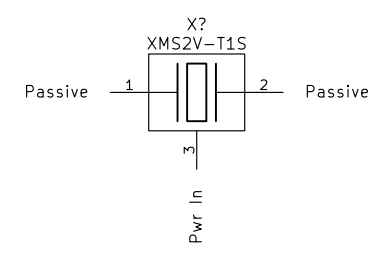
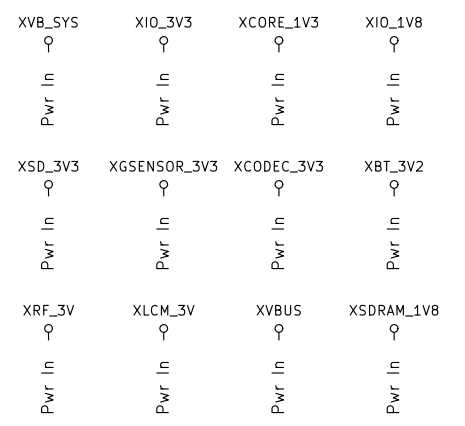
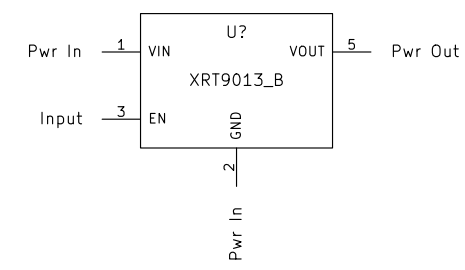
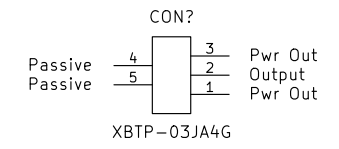
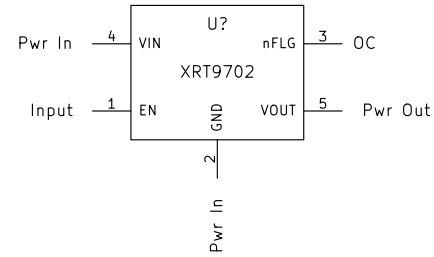
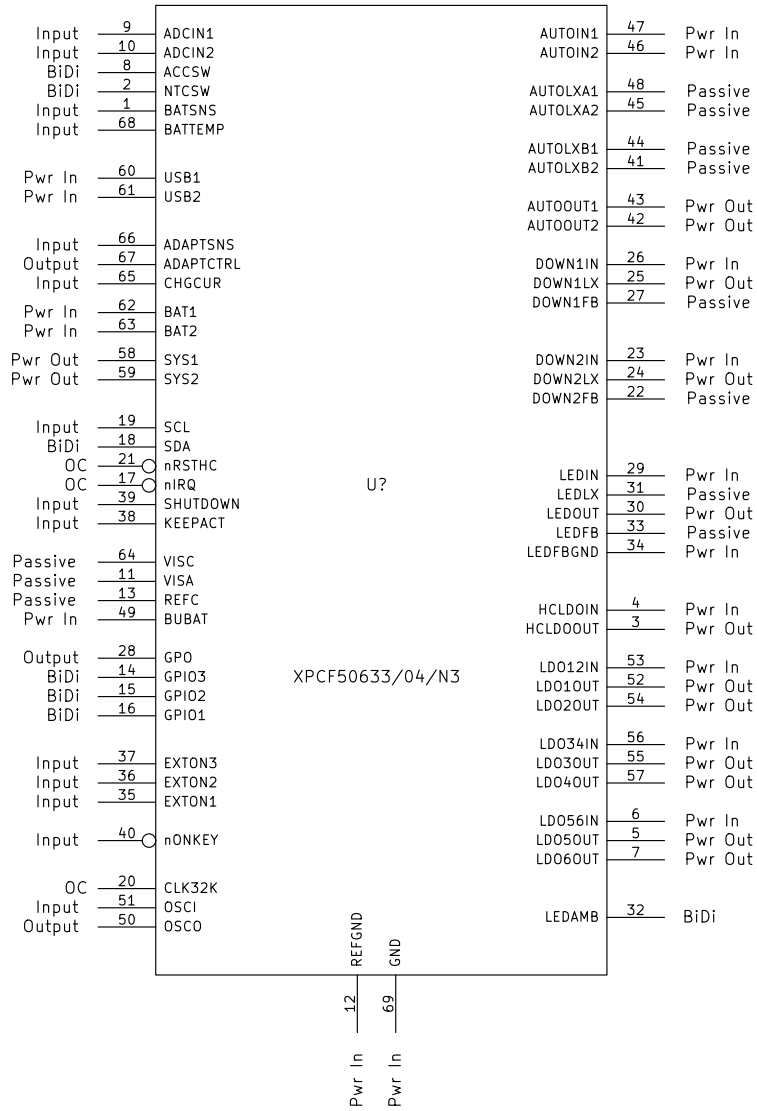
These pin numbers disappear when plotting.
Not sure why. (Some bug in KiCad, it seems.)



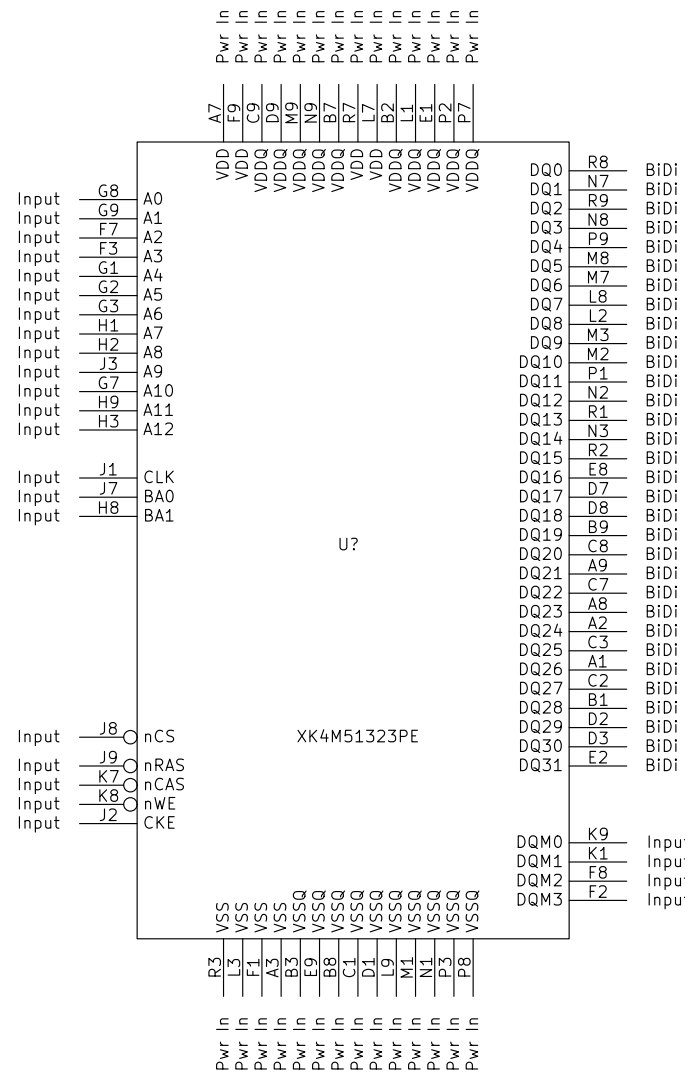
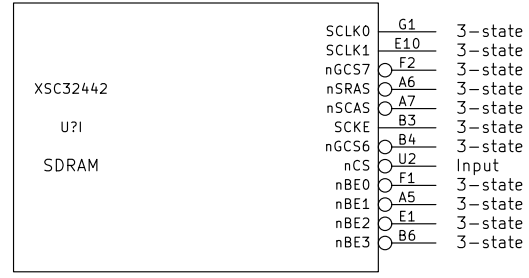
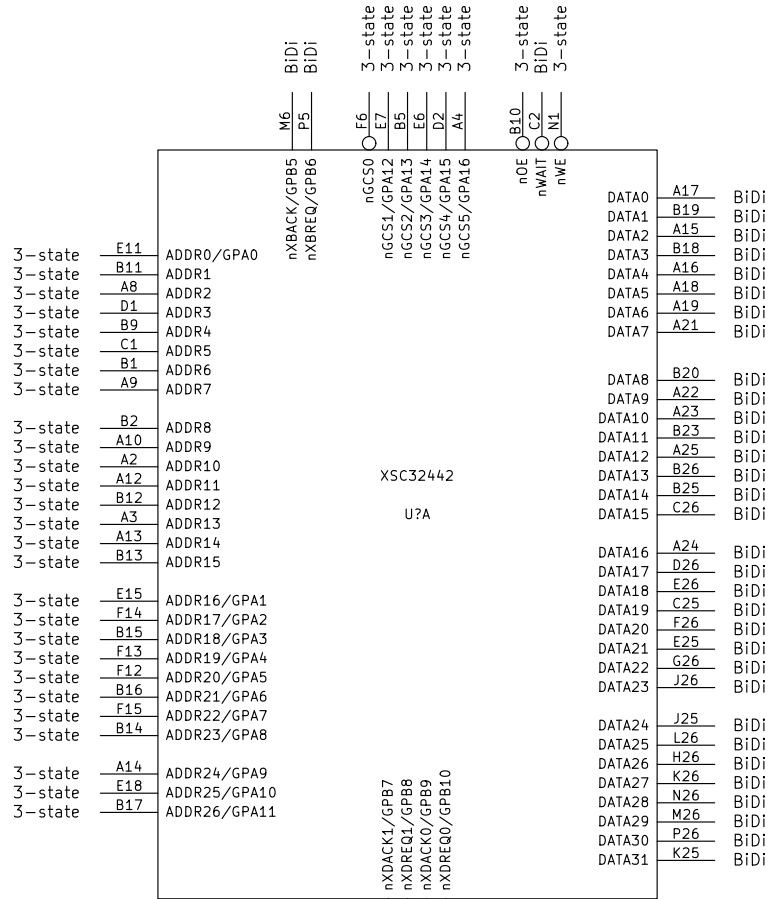
CPU-POWER



PMU

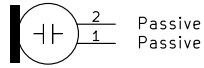


MEMORY

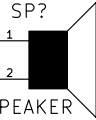


AUDIO

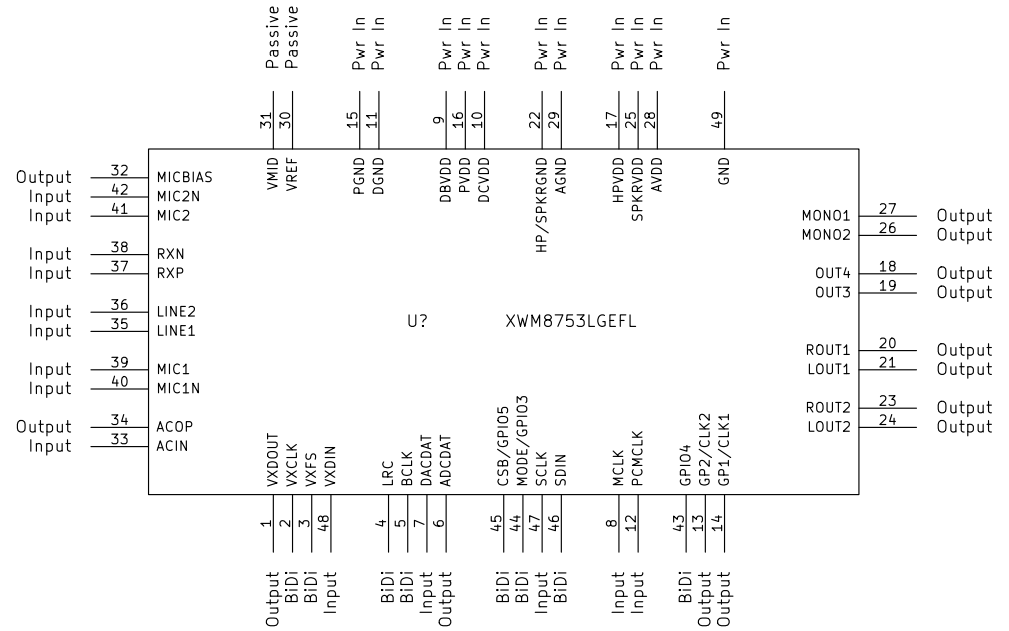
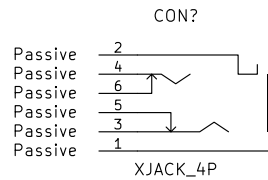
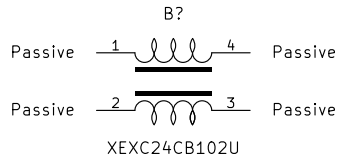
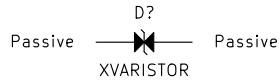
MIC?



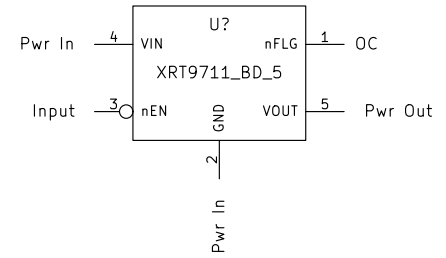
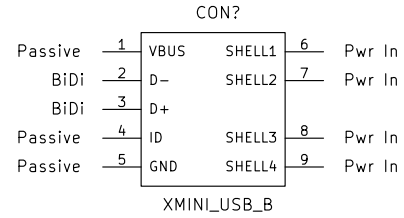
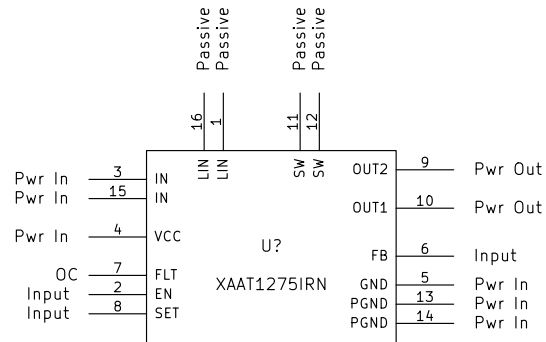
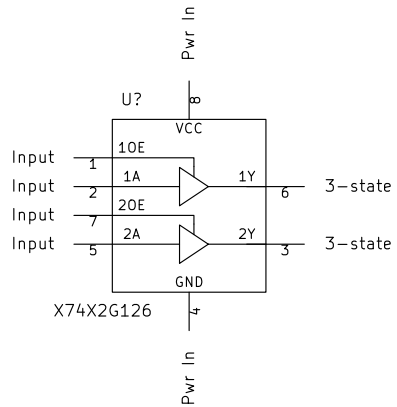
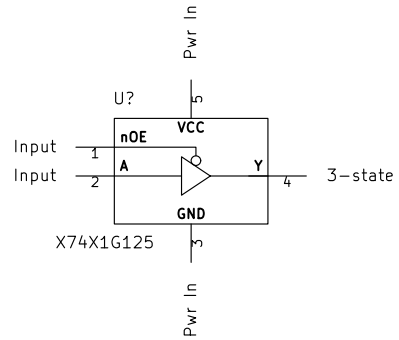
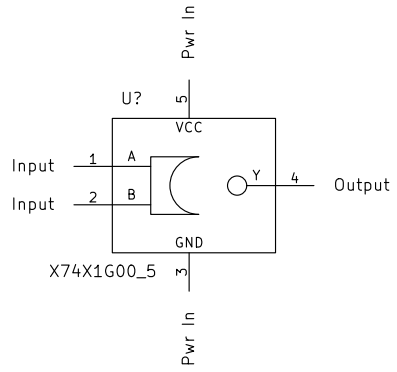
XMICROPHONE

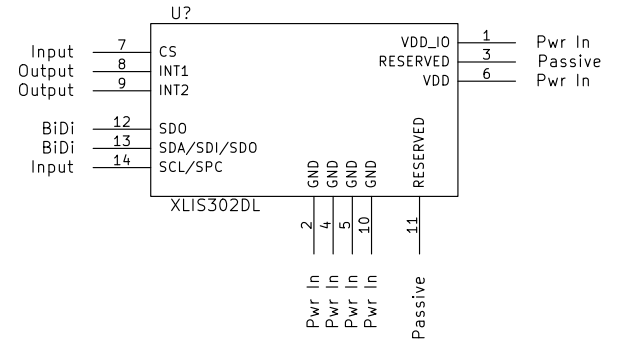
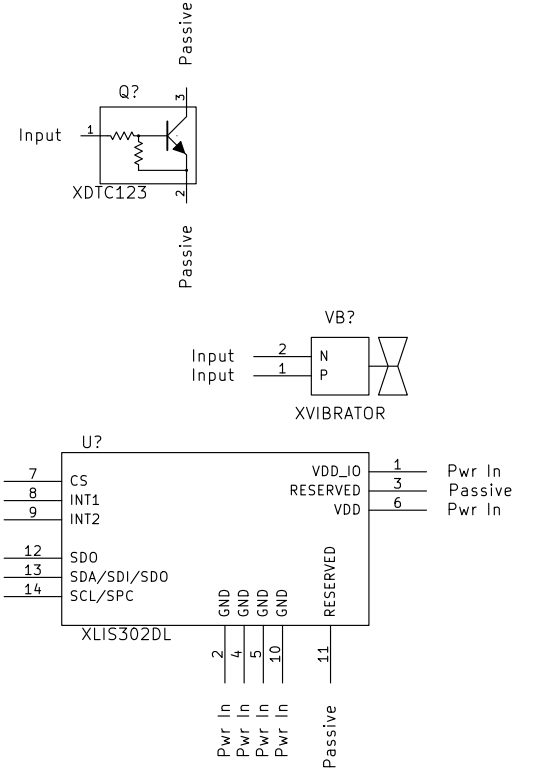
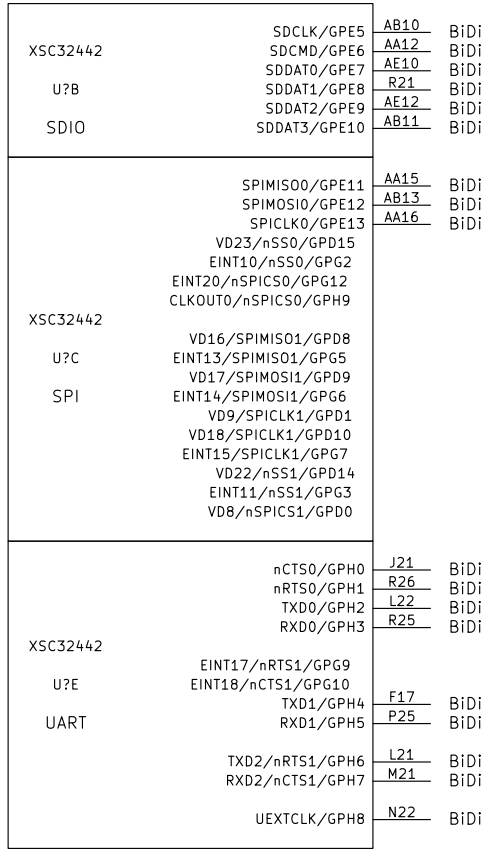
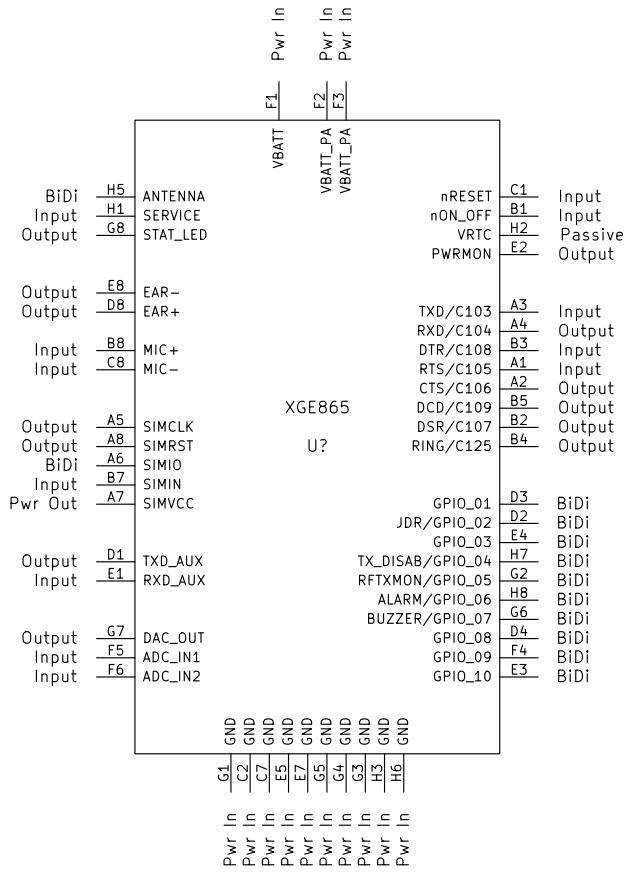


XSC32442	I2SLRCK/GPE0	AE5	BiDi
U?M	I2SSCLK/GPE1	AA10	BiDi
IIS	CDCLK/GPE2	AF8	BiDi
	I2SSDI/GPE3	AA11	BiDi
	I2SSDO/GPE4	AE11	BiDi

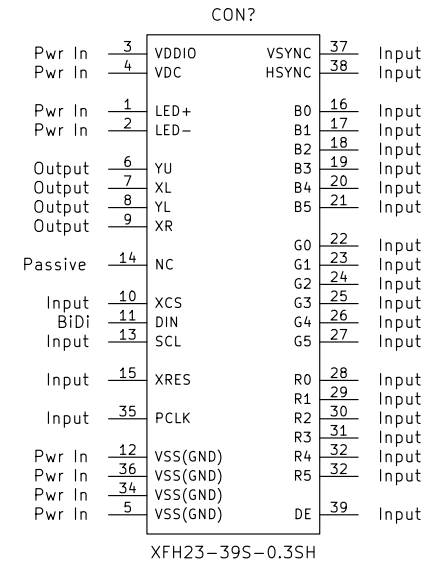
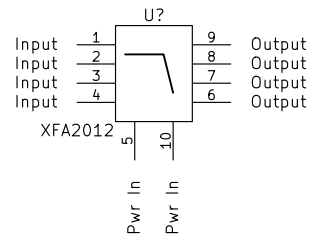
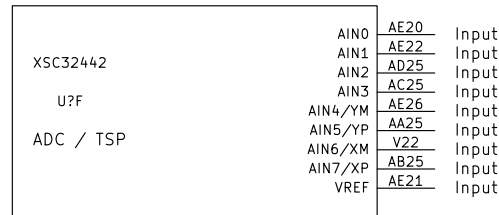
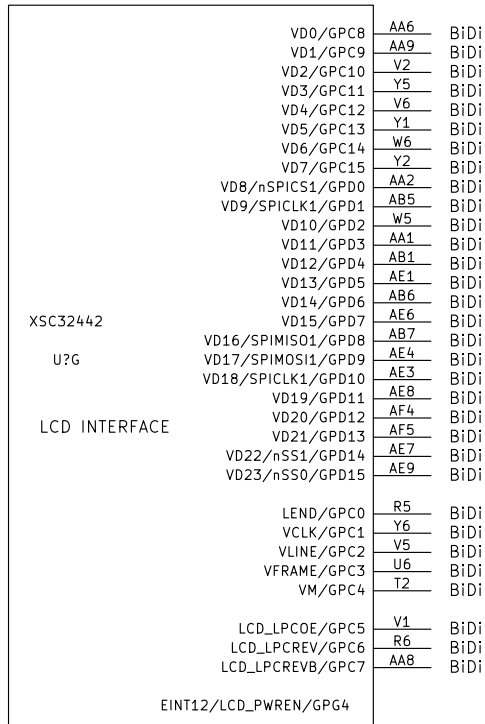


USB

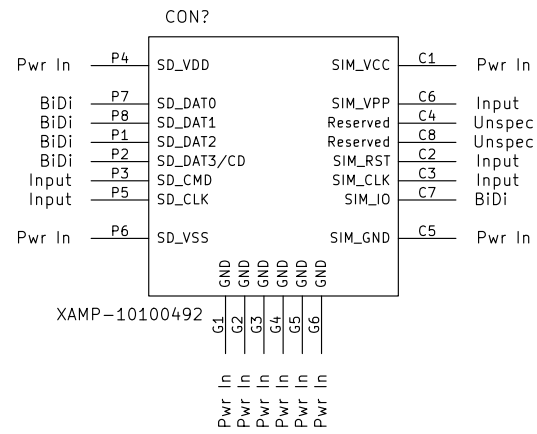




LCM

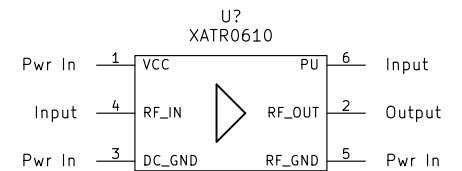
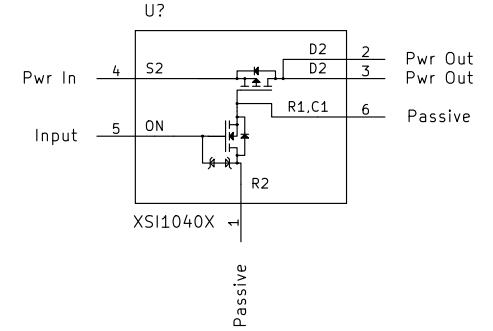
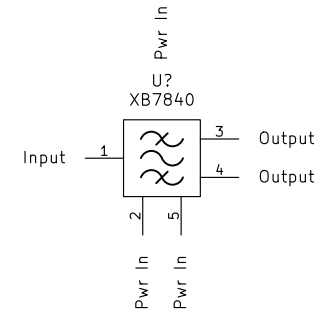
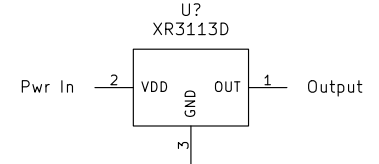
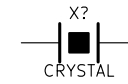
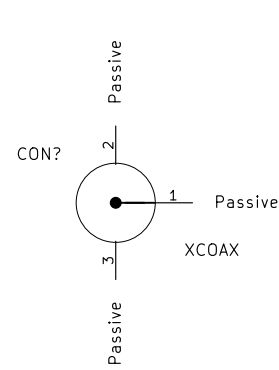
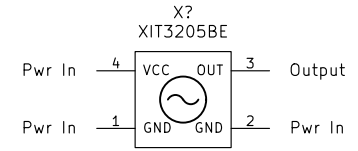
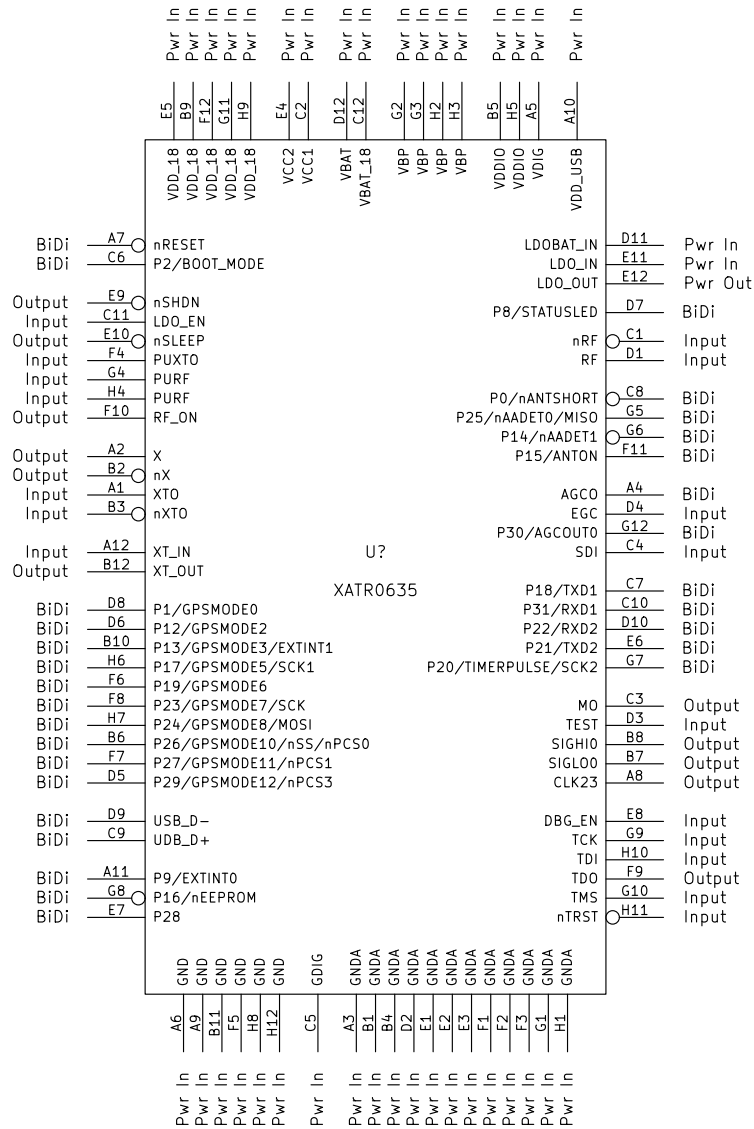


SD/SIM

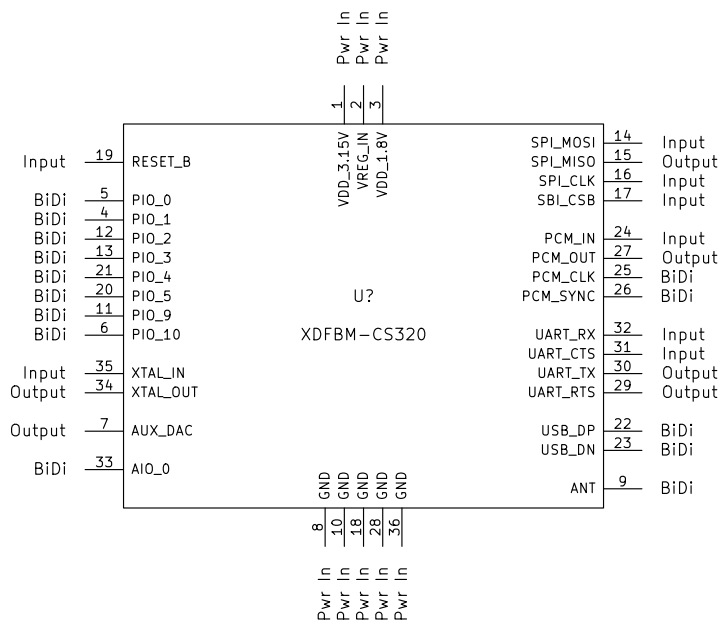
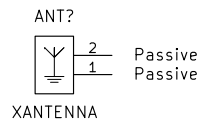


Note: G1 through G6 are called Grounding-I, II, III, IV, V, and VI in the data sheet.

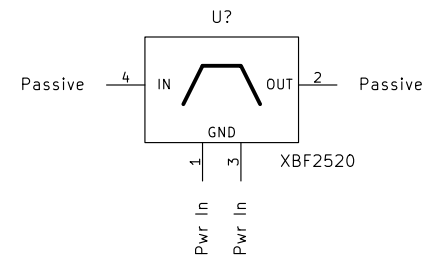
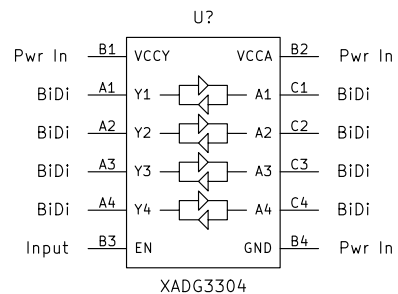
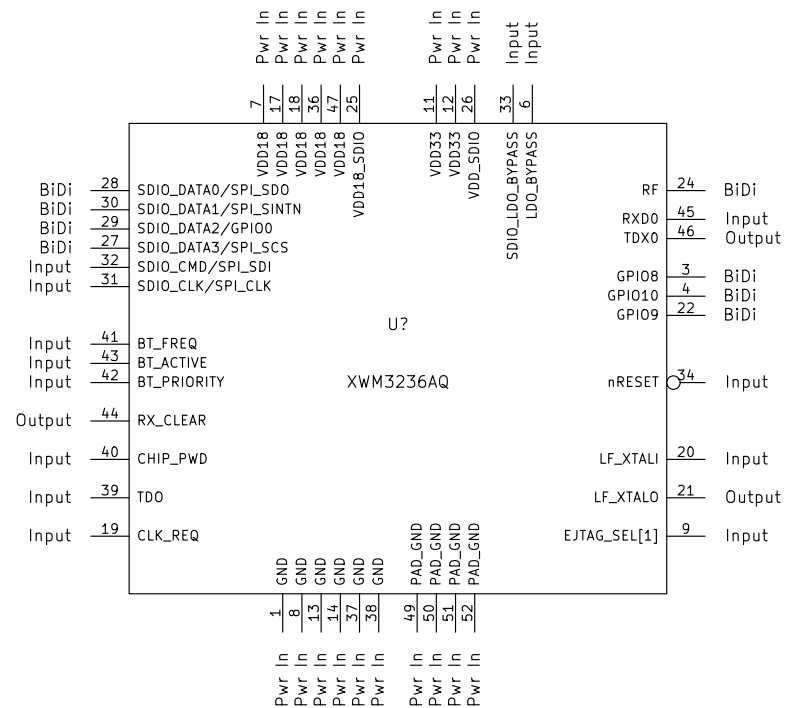
GPS



BT



WLAN



WLAN

