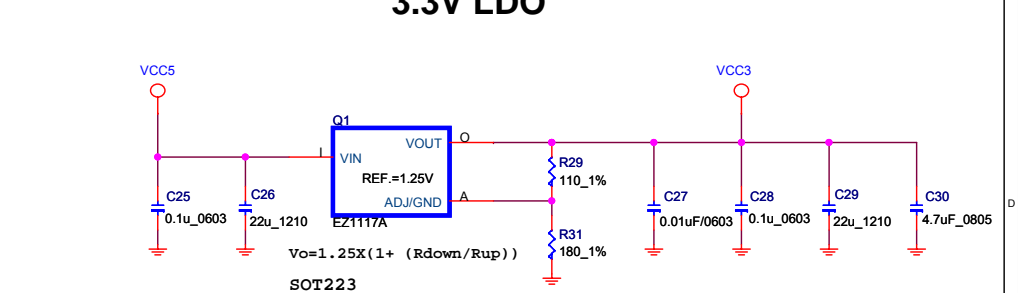
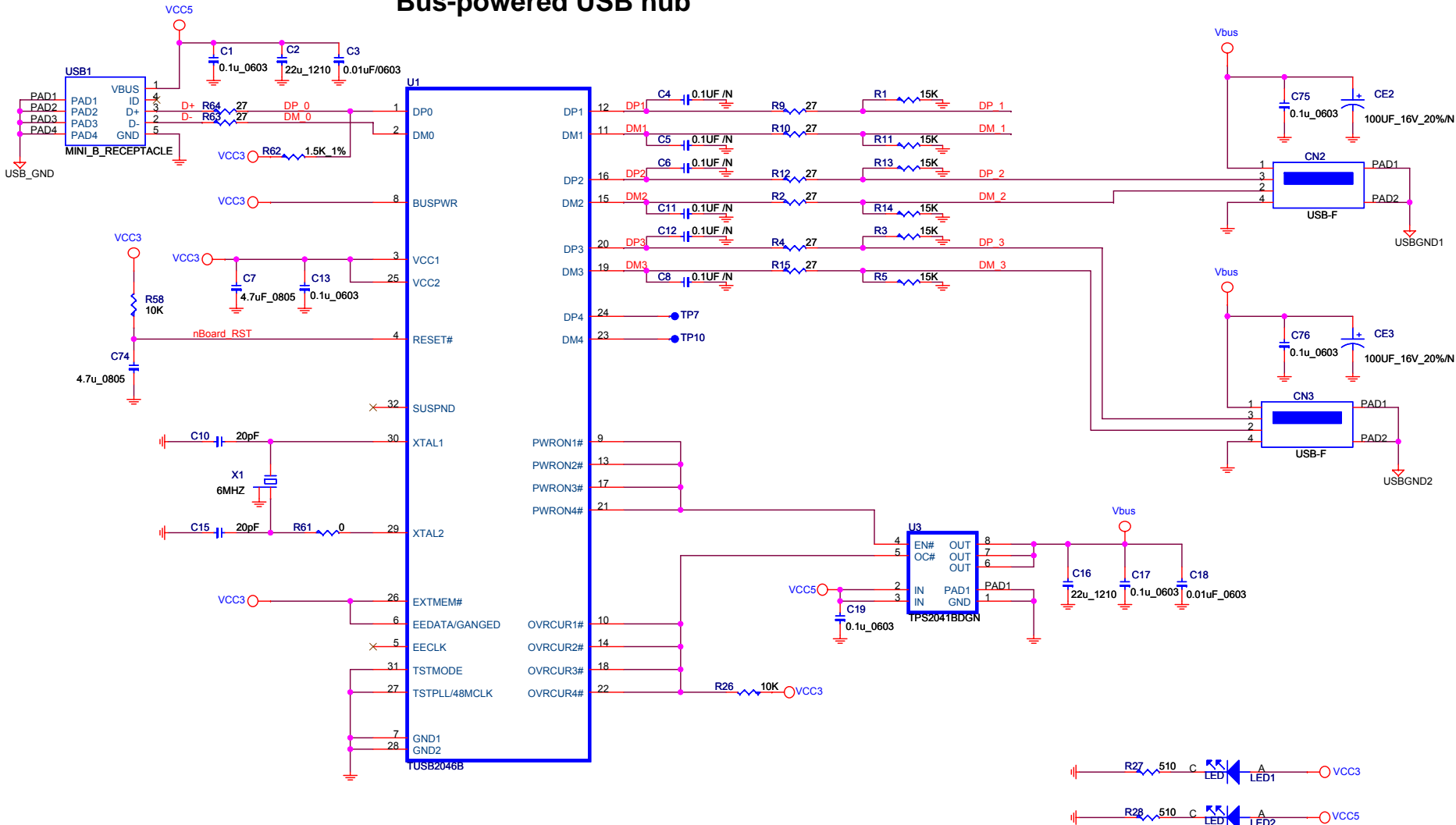
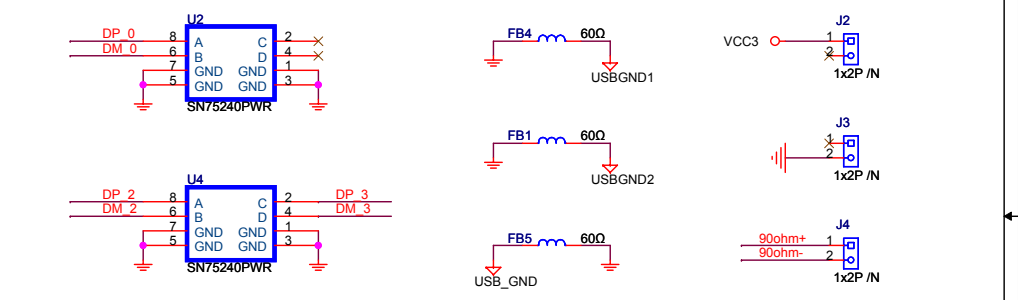
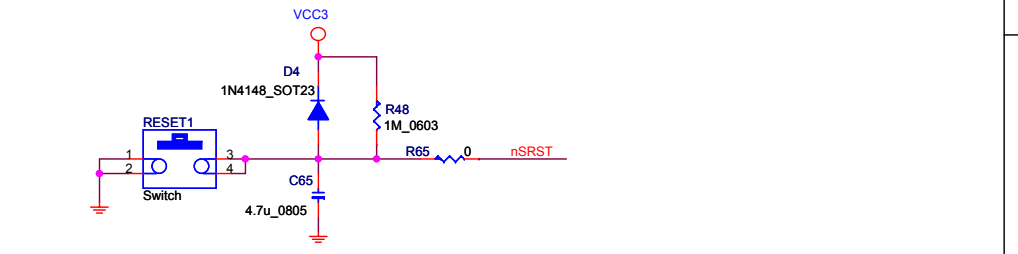


Bus-powered USB hub

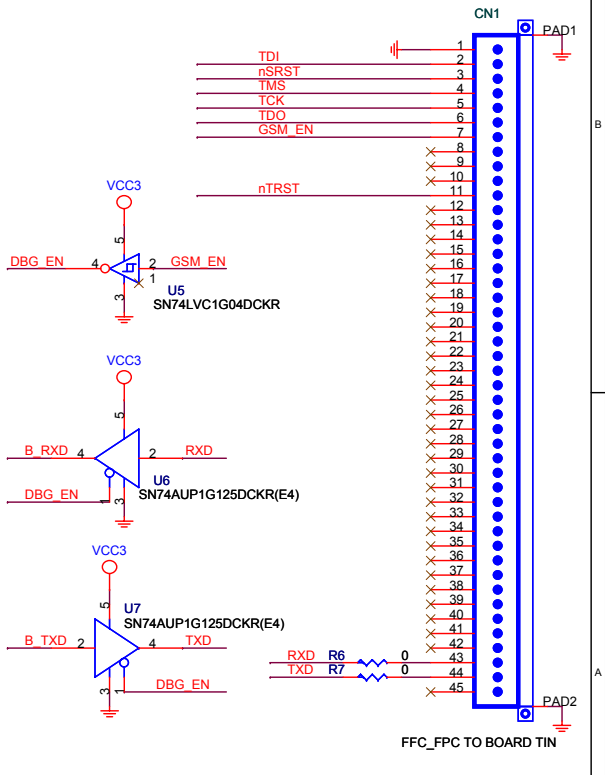
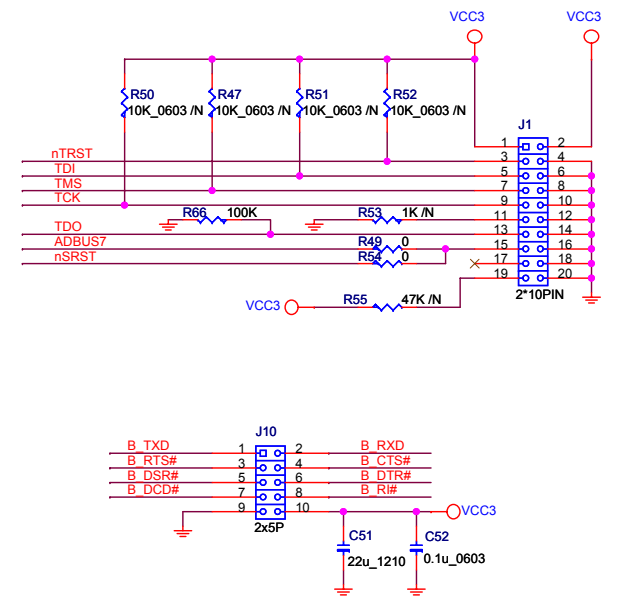
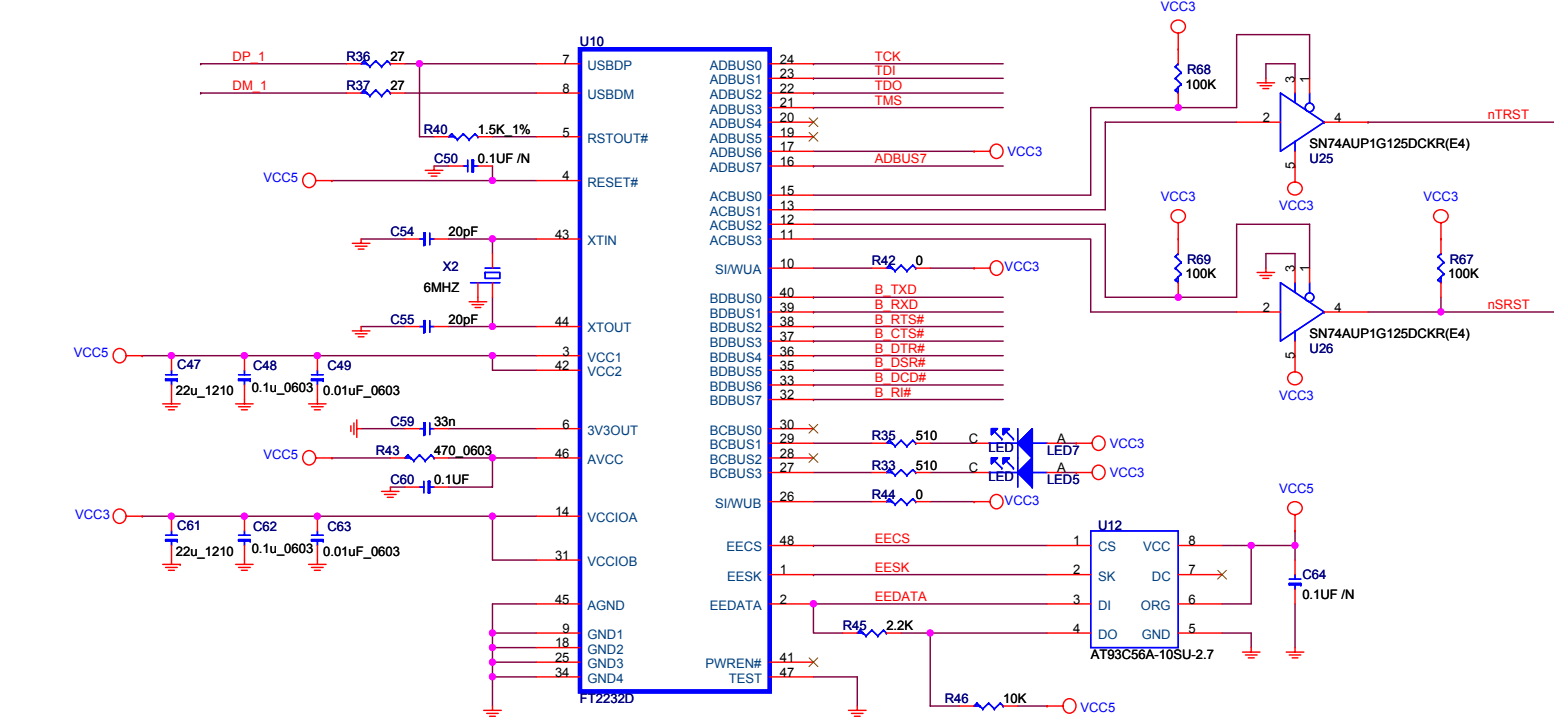
3.3V LDO



Neo1973 reset



USB To JTAG & UART



(C) Copyright 2007 by First International Computer, Inc.
Based on OoClink by Joern Kaipf
Licensed under the Creative Commons Attribution-Share Alike 3.0 License.
<http://creativecommons.org/licenses/by-sa/3.0/>

| | | |
|---------------------------------|-------------------------|--------------|
| Title | | |
| OpenMoko Neo1973 Debug Board v2 | | |
| Size | Document Number | Rev |
| C | | 1.0 |
| Date: | Friday, August 17, 2007 | Sheet 1 of 1 |